



## SUPER DECK Y SERIES GAS DECK OVENS



**Model Y-602**  
with optional casters

### SPECIFICATIONS

BAKERS PRIDE Super Deck Y-Series gas Deck Ovens are designed for high volume pizza and all-purpose operations.

Ovens may be stacked two high. Oven exteriors are all heavy-gauge, type 403 stainless steel and are fully insulated up to 5" (127mm) thick for cooler outer temperatures and consistent interior temperatures.

Interior oven frame is constructed of 1/4" (6mm) heavy-duty angle iron frame, completely welded to form a single, unitized section. The oven body and lining are then welded to the framework.

Oven interiors are manufactured of high-heat resistant 16-gauge aluminized steel. Doors are fully insulated, spring balanced with tubular steel handles and will remain open or closed until moved.

All models feature independent, operator-controlled top & bottom heat control dampers and micro slides for perfectly balanced results.

Y Series features a 300°-650° F (149°-343°C) throttling thermostat, 8" (203mm) interior deck height with 1 1/2" (38mm) thick hearth baking decks (steel decks optional) and are supported by a 1/4" (6mm) angle iron frame.

Combination gas control incorporates a manual gas valve, pilot safety and pressure regulator. Easily removable, slide-out, heavy-duty flame diverters distribute the burner flame uniformly in the burner chamber. A 3/4" (19mm) NPT gas connection is located on the left side and left rear of oven - operator/installer may choose.

Heavy-duty, 7-gauge hot rolled steel legs are standard and finished with durable Bakertone.

2 Year limited part and labor warranty standard.

Job \_\_\_\_\_ Item # \_\_\_\_\_

### GAS DECK OVENS



- Model Y-600 Single
- Model Y-602 Double

---

- Model Y-800 Single
- Model Y-802 Double

### STANDARD FEATURES

- Y Series @ 120,000 BTUH per deck, natural or LP gas — CE not available in LP gas
- 300°-650° F (149°-343°C) throttling thermostat
- Top & bottom heat control dampers & micro-slides
- Combination gas controls with valve, regulator & pilot safety
- Heavy-duty, slide-out flame diverters
- 8" (203mm) interior deck heights with 1 1/2" (38mm) thick hearth stone baking decks
- All stainless steel exteriors
- Aluminized steel interiors
- Spring balanced, fully insulated doors
- Side or rear gas connections
- 7-Gauge legs
- Fully insulated throughout
- 2 Year limited part and labor warranty

### OPTIONS & ACCESSORIES

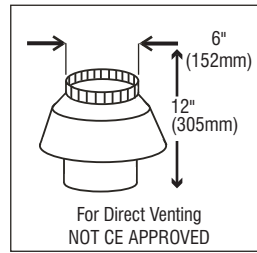
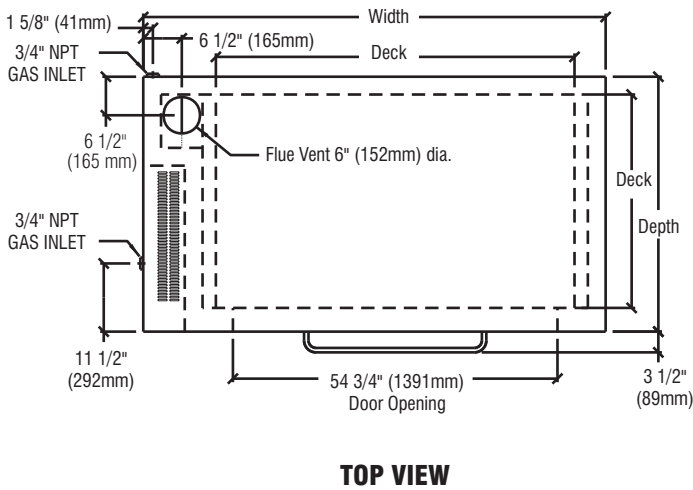
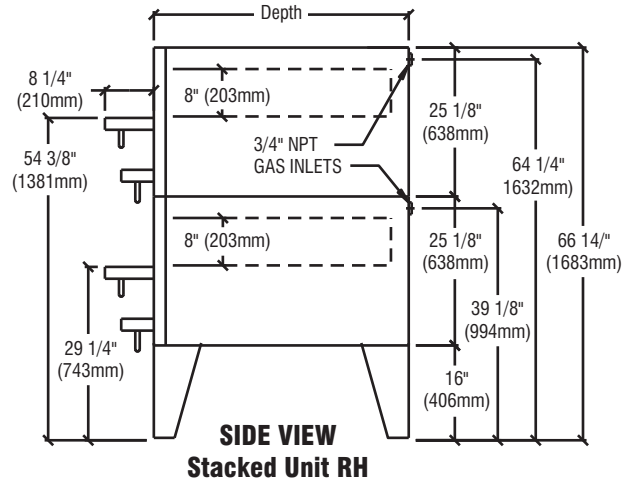
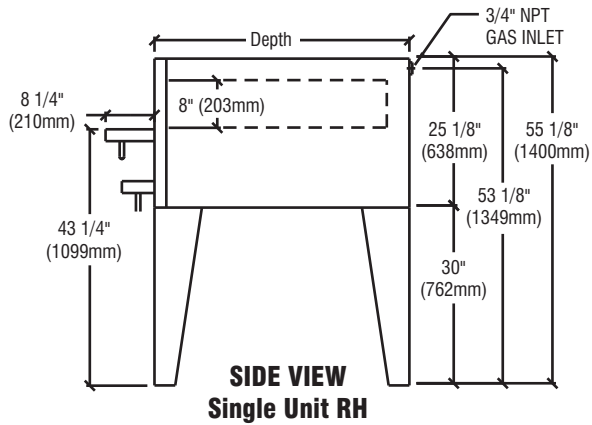
- Side-mounted controls
- Steel decks
- Light stone decks
- 150°-550° F (65°-288°C) thermostat
- Set of 4 casters - two with locks
- Stainless steel leg covers
- Special height legs
- Steam Injection
- Automatic oven starter
- Draft flue for direct vent (not available on CE units)
- Fire brick hearth decks (Y-600/602 only)
- Black powder-coated bake chamber and combustion chamber doors with hardwood handles
- Black powder-coated hinged control panel door
- DSP style - apply stone or tile finish directly to oven exterior - skirts provided

### CERTIFICATIONS

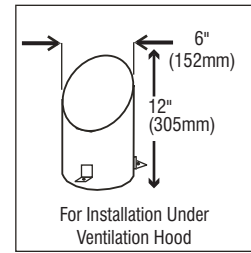


BAKERS PRIDE OVEN COMPANY, INC.  
30 Pine Street, New Rochelle, NY 10801  
914/576-0200 • 1-800-431-2745 • fax 914/576-0605  
www.bakerspride.com

*Continuous product improvement is a policy of Bakers Pride Oven Company. Therefore, specifications and design are subject to change without notification*



**MUST BE SPECIFIED AT TIME OF ORDER**



**STANDARD**

ALL DIMENSIONS NOMINAL

Model	Shipping Weight		Carton Dimensions				Crate Size	
	Lbs.	Kilos	Width Inches	Depth Inches	Height Inches	Cubic Feet	Cubic Meter	
Y-600	1385	626	31	53	82	76	2.4	
Y-800	1600	726	31	60	86	78	2.8	

Shipping class — #70  
 Each oven ships separately  
 Hearth Decks and Legs ship in separate cartons

Model	BTUH	KW	CONNECTION
Y-600	120,000	35.15	3/4"
Y-602	240,000	70.30	3/4"
Y-800	120,000	35.15	3/4"
Y-802	240,000	70.30	3/4"

CE certification not available in LP gas

Model	Deck Sizes		# Decks	Overall Dimensions					
	in.	mm		Width Inches	Depth Inches	Height Inches	mm	mm	mm
Y-600	36 x 60	914 x 1524	1	78	43	1092	55 1/8	1400	
Y-602	36 x 60	914 x 1524	2	78	43	1092	66 1/4	1683	
Y-800	44 x 66	1118 x 1676	1	84	51	1295	55 1/8	1400	
Y-802	44 x 66	1118 x 1676	2	84	51	1295	66 1/4	1683	

	Noncombustible Construction		Combustible Construction	
	Inches	mm	Inches	mm
Right	0	0	1	25
Left	0	0	3	76
Rear	2	51	3	76