



**Pizza Prep Tables**  
**KPT SERIES**

|               |      |
|---------------|------|
| Project Name: |      |
| Location:     |      |
| Item:         | Qty: |
| Model:        |      |



**44"**  
**KPT-44-1**



**67"**  
**KPT-67-2**



**93"**  
**KPT-93-3**



5659 Royalmount Ave.  
Montreal, QC, Canada H4P 2P9  
Telephone: 514.737.9701 / Toll Free: 888.275.4538  
Fax: 514.342.3854 / Toll Free: 877.453.8832  
sales@mvpgroupcorp.com / mvpgroupcorp.com

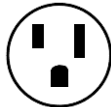
12000 Biscayne Blvd., Suite # 108  
Miami, FL, United States 33181  
Telephone: 786.600.4687 / Toll Free: 844.218.8477  
Fax: 786.661.4100

# Pizza Prep Tables

| Model Number | Capacity (cubic feet) | Number of Doors | Number of Shelves | Number of Pans | Refrigerant | HP  | Amps | Net Weight (lbs.) | Shipping Weight (lbs.) | Shipping Dimensions (W x D x H in inches) | Internal Dimensions (W x D x H in inches) |
|--------------|-----------------------|-----------------|-------------------|----------------|-------------|-----|------|-------------------|------------------------|---|---|
| KPT-44-1     | 11                    | 1               | 2                 | 6              | R-134a      | 3/8 | 6.5  | 302               | 331                    | 48.4 x 37 x 44.3                          | 29.9 x 26.4 x 23.4                        |
| KPT-67-2     | 20                    | 2               | 4                 | 9              | R-134a      | 3/8 | 6.5  | 381               | 412                    | 70.9 x 37 x 44.3                          | 49.8 x 26.4 x 23.4                        |
| KPT-93-3     | 31                    | 3               | 6                 | 12             | R-404a      | 1/2 | 7.5  | 509               | 542                    | 97.6 x 37 x 44.3                          | 93.25 x 26.4 x 23.4                       |

These units are designed for maximum performance in an air-conditioned area of 75°F ambient temperature and 55% relative humidity. There must be adequate ventilation at the top, sides & rear of the unit for proper operation.

Warranty: 36 months parts & labor. Additional 24 months on compressor (part only).



115V / 60 Hz / 1  
NEMA 5 – 15P  
DEDICATED CIRCUIT



5659 Royalmount Ave.  
Montreal, QC, Canada H4P 2P9  
Telephone: 514.737.9701 / Toll Free: 888.275.4538  
Fax: 514.342.3854 / Toll Free: 877.453.8832  
sales@mvpgroupcorp.com / mvpgroupcorp.com

12000 Biscayne Blvd., Suite # 108  
Miami, FL, United States 33181  
Telephone: 786.600.4687 / Toll Free: 844.218.8477  
Fax: 786.661.4100

## Durable Design

- Created to endure the everyday stress of the commercial kitchen environment, to protect your long term investment and guarantee superior food preservation
- Coated evaporator coil
- 2 height adjustable, heavy-duty, PE coated wire shelves per door
- Spring loaded, self-closing doors
- Removable, easy to clean 18.9" cutting board
- Simple plug-in installation

## Energy Efficiency

- Self-closing door with stay open feature
- Seals tight with magnetic vinyl gasket
- Foamed-in place high-density polyurethane insulated body, CFC-Free
- 1" thick insulated lids

## Superior Quality

- Designed for mobility, reliability & efficiency in commercial kitchens
- 5" swivel casters with 2 front brakes
- 36" high working surface
- Easy grip door handle(s)
- Entirely self-contained system
- Forced air refrigeration
- Automatic defrost system
- Easily adjustable shelf height
- Stainless Steel interior & exterior
- Polycarbonate food pans included
- 1/3" size x 4" Pans (Unit can accommodate 6" pans but only on the left side of the unit, not the right as this could block and cause ventilation issues in the unit)

### KPT Series Pizza Prep Tables

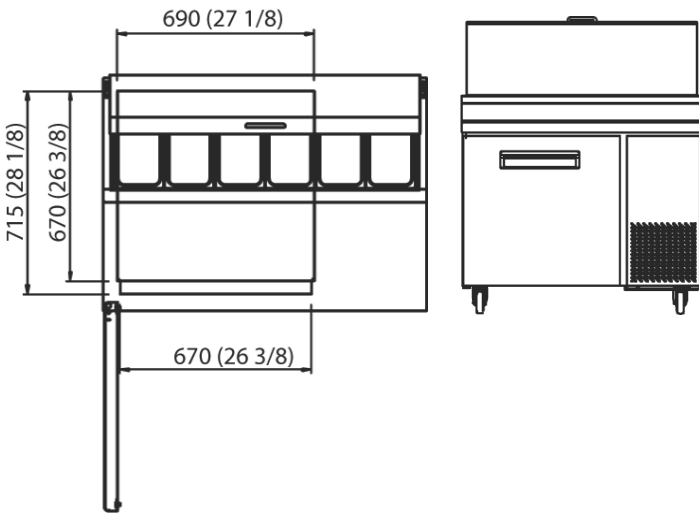
- Temperature range : 33°F to 40°F



5659 Royalmount Ave.  
Montreal, QC, Canada H4P 2P9  
Telephone: 514.737.9701 / Toll Free: 888.275.4538  
Fax: 514.342.3854 / Toll Free: 877.453.8832  
sales@mvpgroupcorp.com / mvpgroupcorp.com

12000 Biscayne Blvd., Suite # 108  
Miami, FL, United States 33181  
Telephone: 786.600.4687 / Toll Free: 844.218.8477  
Fax: 786.661.4100

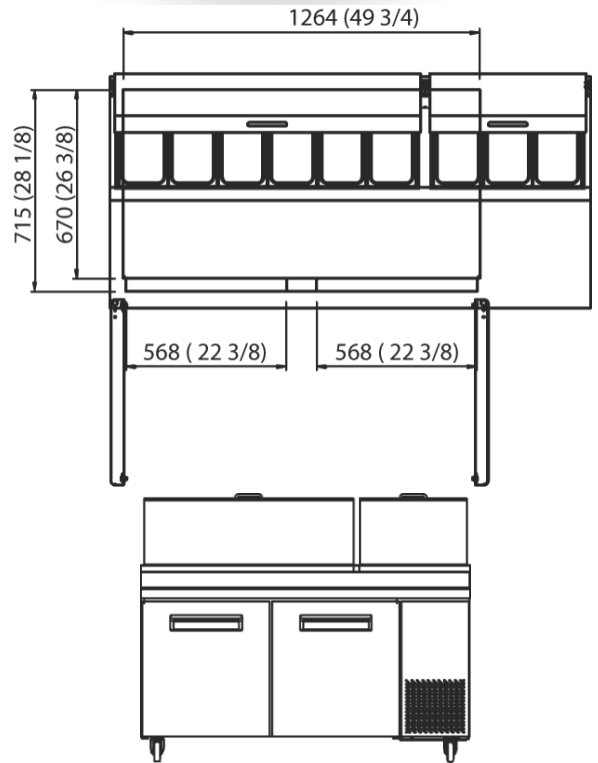
**44"**  
**KPT-44-1**



External Dimensions (W" x D" x H")

44.4 x 36.5 x 41.9

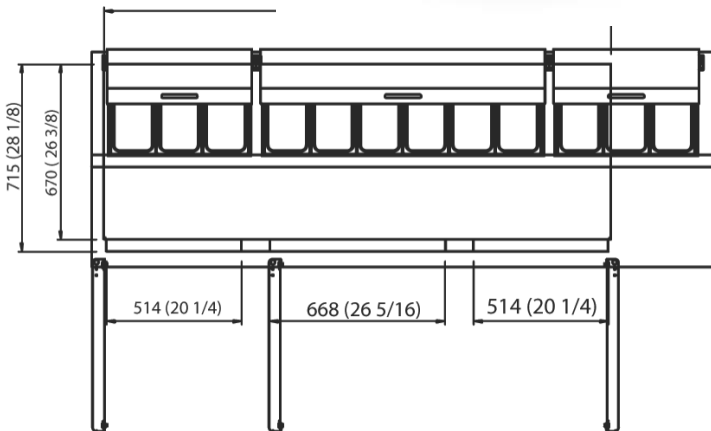
**67"**  
**KPT-67-2**



External Dimensions (W" x D" x H")

67 x 36.5 x 41.9

**93"**  
**KPT-93-3**



External Dimensions (W" x D" x H")

93.3 x 36.5 x 41.9



5659 Royalmount Ave.  
Montreal, QC, Canada H4P 2P9  
Telephone: 514.737.9701 / Toll Free: 888.275.4538  
Fax: 514.342.3854 / Toll Free: 877.453.8832  
sales@mvpgroupcorp.com / mvpgroupcorp.com

12000 Biscayne Blvd., Suite # 108  
Miami, FL, United States 33181  
Telephone: 786.600.4687 / Toll Free: 844.218.8477  
Fax: 786.661.4100