



**Pizza Prep Tables**  
**KPT SERIES**

Project Name:	
Location:	
Item:	Qty:
Model:	



**44"**  
**KPT-44-1**



**67"**  
**KPT-67-2**



**93"**  
**KPT-93-3**



5659 Royalmount Ave.  
Montreal, QC, Canada H4P 2P9  
Telephone: 514.737.9701 / Toll Free: 888.275.4538  
Fax: 514.342.3854 / Toll Free: 877.453.8832  
sales@mvpgroupcorp.com / mvpgroupcorp.com

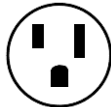
12000 Biscayne Blvd., Suite # 108  
Miami, FL, United States 33181  
Telephone: 786.600.4687 / Toll Free: 844.218.8477  
Fax: 786.661.4100

# Pizza Prep Tables

Model Number	Capacity (cubic feet)	Number of Doors	Number of Shelves	Number of Pans	Refrigerant	HP	Amps	Net Weight (lbs.)	Shipping Weight (lbs.)	Shipping Dimensions (W x D x H in inches)	Internal Dimensions (W x D x H in inches)
KPT-44-1	11	1	2	6	R-134a	3/8	6.5	302	331	48.4 x 37 x 44.3	29.9 x 26.4 x 23.4
KPT-67-2	20	2	4	9	R-134a	3/8	6.5	381	412	70.9 x 37 x 44.3	49.8 x 26.4 x 23.4
KPT-93-3	31	3	6	12	R-404a	1/2	7.5	509	542	97.6 x 37 x 44.3	93.25 x 26.4 x 23.4

These units are designed for maximum performance in an air-conditioned area of 75°F ambient temperature and 55% relative humidity. There must be adequate ventilation at the top, sides & rear of the unit for proper operation.

Warranty: 36 months parts & labor. Additional 24 months on compressor (part only).



115V / 60 Hz / 1  
NEMA 5 – 15P  
DEDICATED CIRCUIT



5659 Royalmount Ave.  
Montreal, QC, Canada H4P 2P9  
Telephone: 514.737.9701 / Toll Free: 888.275.4538  
Fax: 514.342.3854 / Toll Free: 877.453.8832  
sales@mvpgroupcorp.com / mvpgroupcorp.com

12000 Biscayne Blvd., Suite # 108  
Miami, FL, United States 33181  
Telephone: 786.600.4687 / Toll Free: 844.218.8477  
Fax: 786.661.4100

## Durable Design

- Created to endure the everyday stress of the commercial kitchen environment, to protect your long term investment and guarantee superior food preservation
- Coated evaporator coil
- 2 height adjustable, heavy-duty, PE coated wire shelves per door
- Spring loaded, self-closing doors
- Removable, easy to clean 18.9" cutting board
- Simple plug-in installation

## Energy Efficiency

- Self-closing door with stay open feature
- Seals tight with magnetic vinyl gasket
- Foamed-in place high-density polyurethane insulated body, CFC-Free
- 1" thick insulated lids

## Superior Quality

- Designed for mobility, reliability & efficiency in commercial kitchens
- 5" swivel casters with 2 front brakes
- 36" high working surface
- Easy grip door handle(s)
- Entirely self-contained system
- Forced air refrigeration
- Automatic defrost system
- Easily adjustable shelf height
- Stainless Steel interior & exterior
- Polycarbonate food pans included
- 1/3" size x 4" Pans (Unit can accommodate 6" pans but only on the left side of the unit, not the right as this could block and cause ventilation issues in the unit)

### KPT Series Pizza Prep Tables

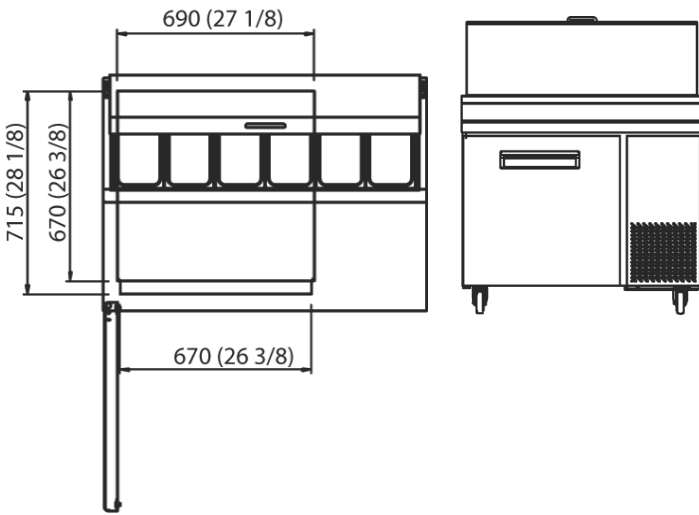
- Temperature range : 33°F to 40°F



5659 Royalmount Ave.  
Montreal, QC, Canada H4P 2P9  
Telephone: 514.737.9701 / Toll Free: 888.275.4538  
Fax: 514.342.3854 / Toll Free: 877.453.8832  
sales@mvpgroupcorp.com / mvpgroupcorp.com

12000 Biscayne Blvd., Suite # 108  
Miami, FL, United States 33181  
Telephone: 786.600.4687 / Toll Free: 844.218.8477  
Fax: 786.661.4100

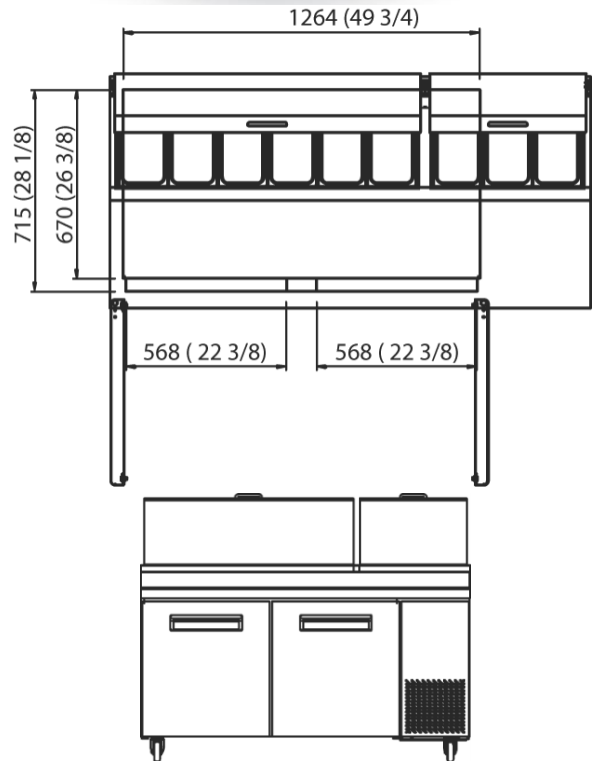
**44"**  
**KPT-44-1**



External Dimensions (W" x D" x H")

44.4 x 36.5 x 41.9

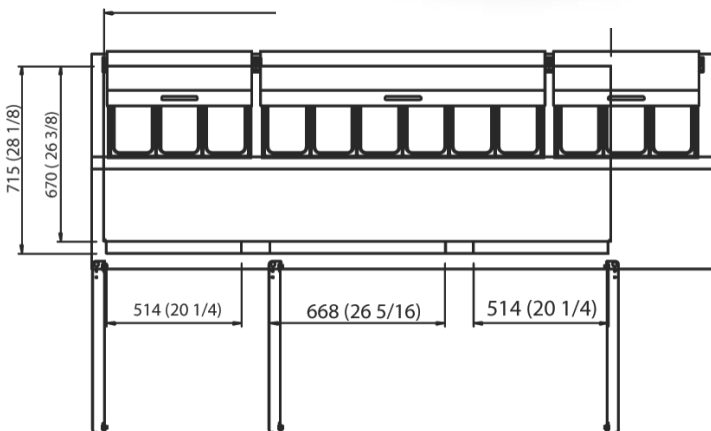
**67"**  
**KPT-67-2**



External Dimensions (W" x D" x H")

67 x 36.5 x 41.9

**93"**  
**KPT-93-3**



External Dimensions (W" x D" x H")

93.3 x 36.5 x 41.9



5659 Royalmount Ave.  
Montreal, QC, Canada H4P 2P9  
Telephone: 514.737.9701 / Toll Free: 888.275.4538  
Fax: 514.342.3854 / Toll Free: 877.453.8832  
sales@mvpgroupcorp.com / mvpgroupcorp.com

12000 Biscayne Blvd., Suite # 108  
Miami, FL, United States 33181  
Telephone: 786.600.4687 / Toll Free: 844.218.8477  
Fax: 786.661.4100